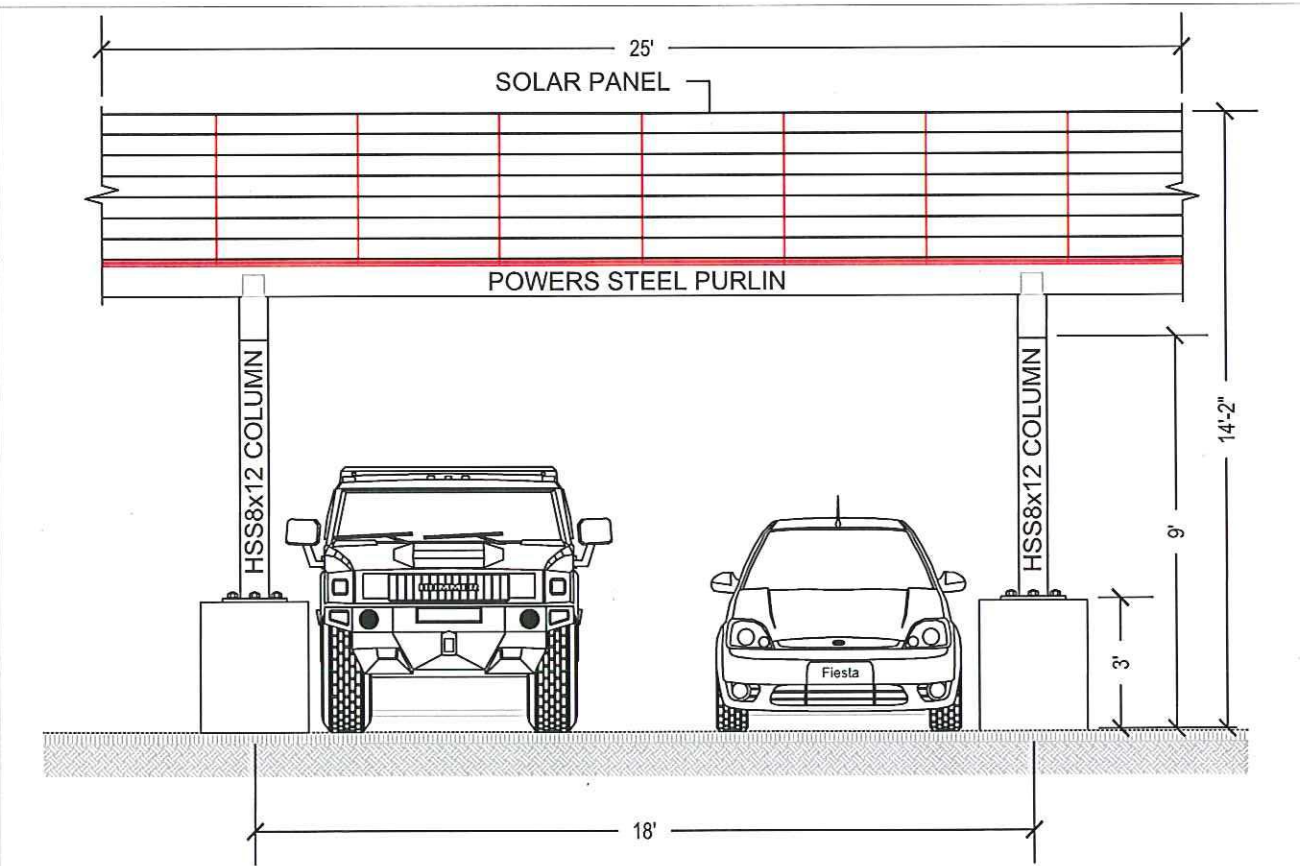
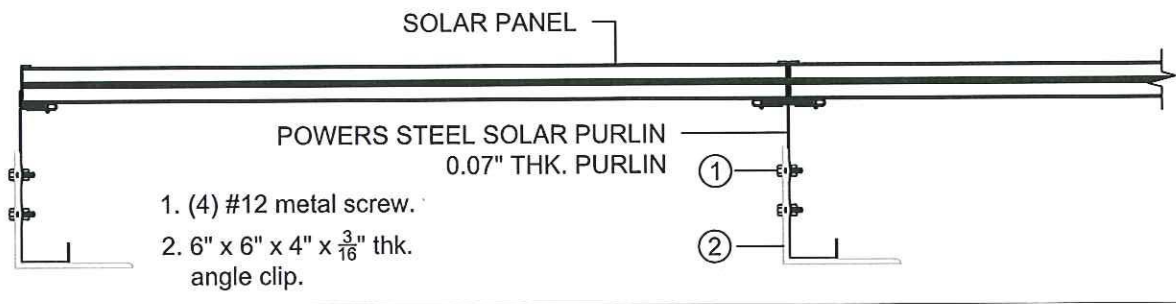


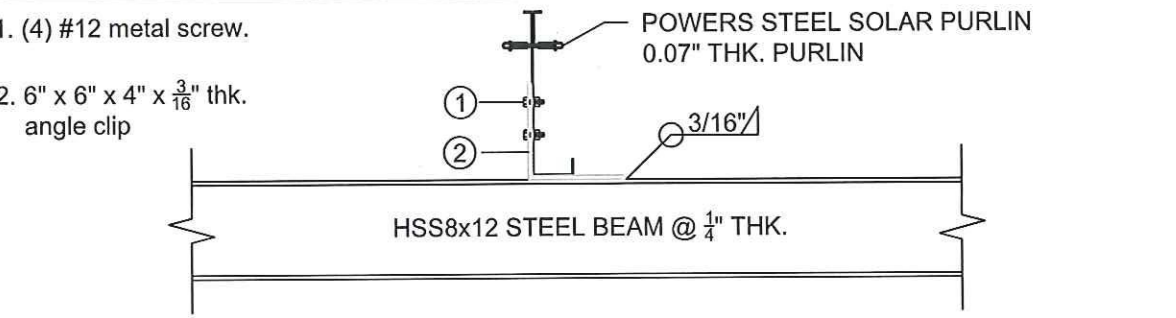
1 CARPORT STRUCTURE SIDE VIEW SCALE NONE



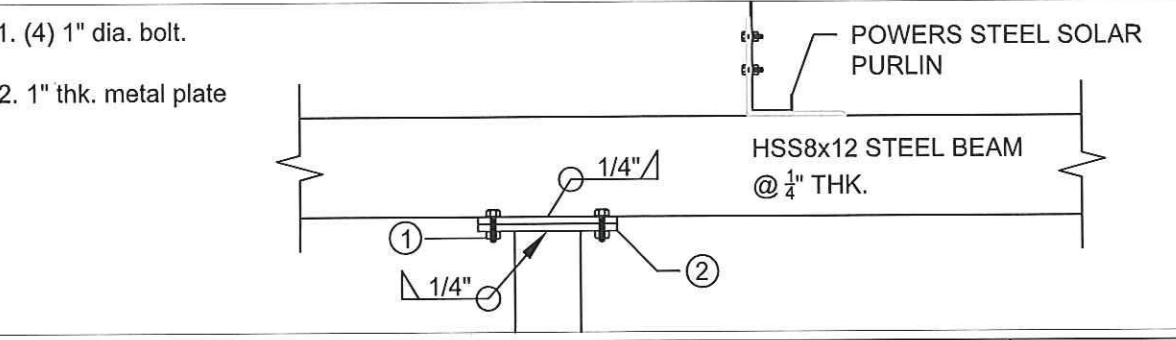
2 CARPORT STRUCTURE FRONT VIEW SCALE NONE



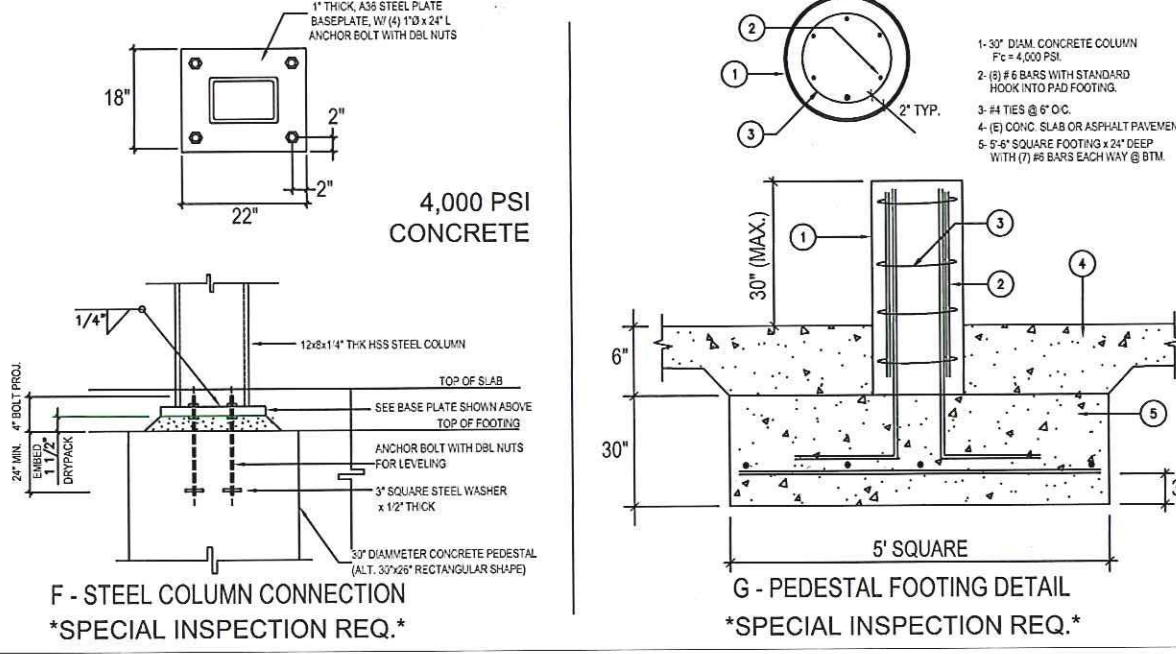
3 PANEL MOUNT CONNECTION SCALE NONE



4 BEAM MOUNT CONNECTION SCALE NONE



5 COLUMN MOUNT DETAIL SCALE NONE



6 FOUNDATION DETAIL SCALE NONE

ORION
SOLAR RACKING
We Make Solar Installation simple

2917 VAIL AVE.
COMMERCE, CA 90040
T. 310. 409. 4616

PROJECT:
NEPTUNE'S NET
42505 STATE HWY 1
MALIBU, CA 90265

SHEET TITLE:
- STRUCTURAL PLAN & DETAILS

Remodeling System

CONTRACTOR:

PROJECT BY: **DxN**
PROJECT NO: **S14-12049**
DATE: **01-07-15**
SCALE: **NONE**

REVISION	DATE	DESCRIPTION
1		
2		
3		

SHEET
SE-1

***THESE DETAILS, DRAWINGS, SPECIFICATIONS ARE THE EXCLUSIVE PROPERTY OF ORION SOLAR RACKING. ALL INFORMATION CONTAINED HEREIN IS UNCLASSIFIED AND NO PART OF THESE DRAWINGS SHALL BE COPIED, TRANSMITTED, OR REPRODUCED WITHOUT WRITTEN CONSENT OF ORION SOLAR RACKING. ***