

KRONOS RESIDENTIAL CARPORT

All project documents are the registered property of Orion Solar Racking and must be lawfully used in whole or in part for any project or purpose except as described in the contract of agreement between Orion Solar Racking and Client.

PROJECT:
UNIT CARPORT SYSTEM

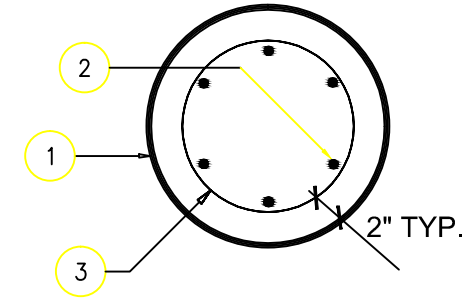
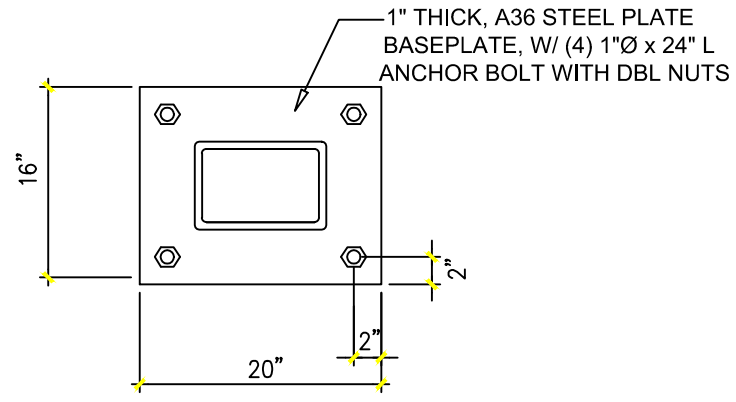
ARRAY INFORMATION

| | |
|----------------|--|
| PV BRAND | |
| MODULE SIZE | |
| MODULE WATTAGE | |
| SYSTEM SIZE | |
| MOUNT TYPE | |
| AZUMITH | |
| TILT ANGLE | |

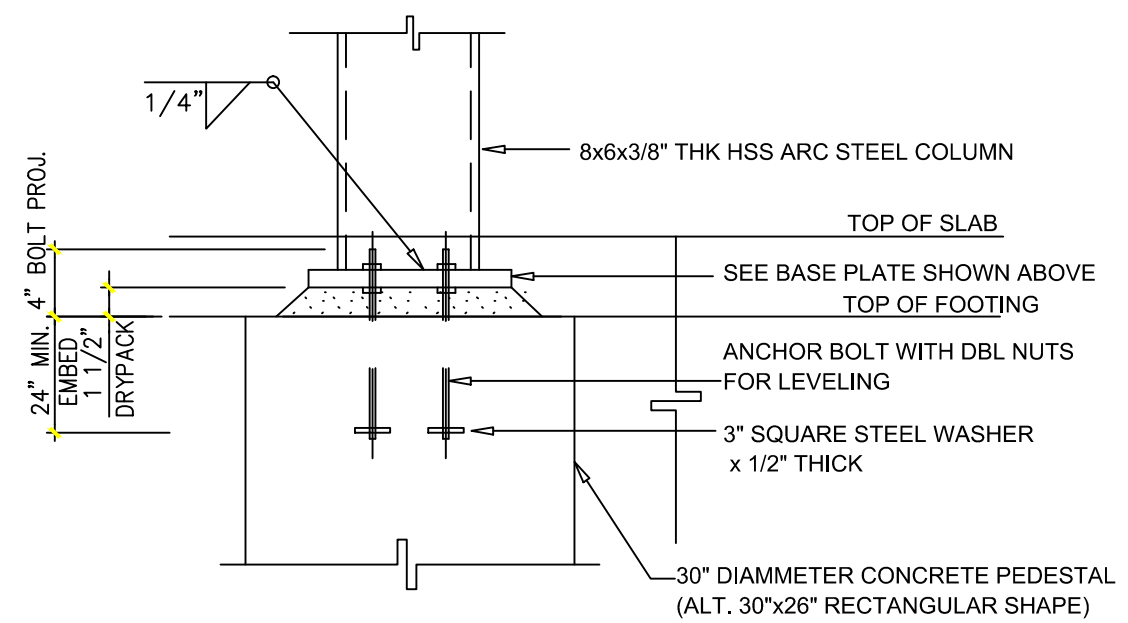
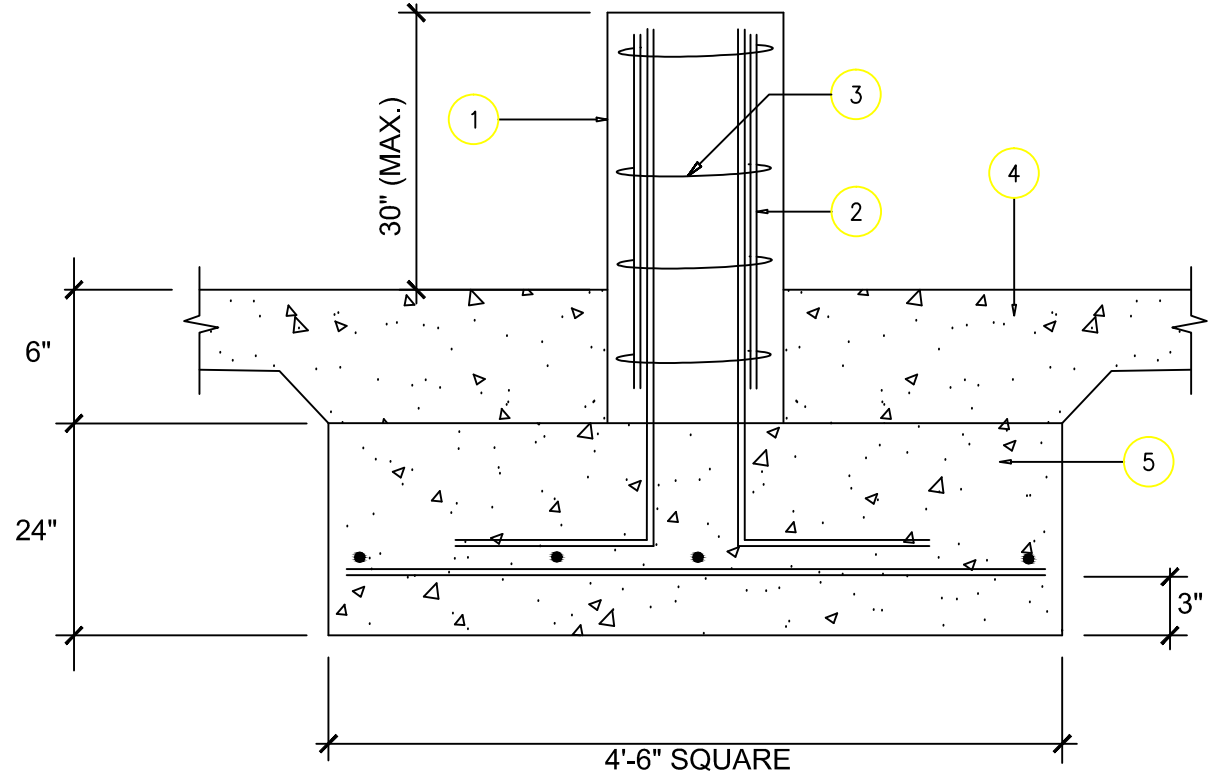
SHEET TITLE:
FOUNDATION DETAIL

STAMP:

PROJECT BY: DxN
DATE: TBD
SCALE: NONE
PERMIT: _____
△ _____
△ _____
△ _____



- 1- 24" DIAM. CONCRETE COLUMN
F'c = 2,500 PSI.
- 2- (8) # 6 BARS WITH STANDARD HOOK INTO PAD FOOTING.
- 3- #4 TIES @ 6" O/C.
- 4- (E) CONC. SLAB OR ASPHALT PAVEMENT
- 5- 4'-6" SQUARE FOOTING x 24" DEEP WITH (7) #6 BARS EACH WAY @ BTM.



F - STEEL COLUMN CONNECTION

G - PEDESTAL FOOTING DETAIL

SPREAD DETAIL