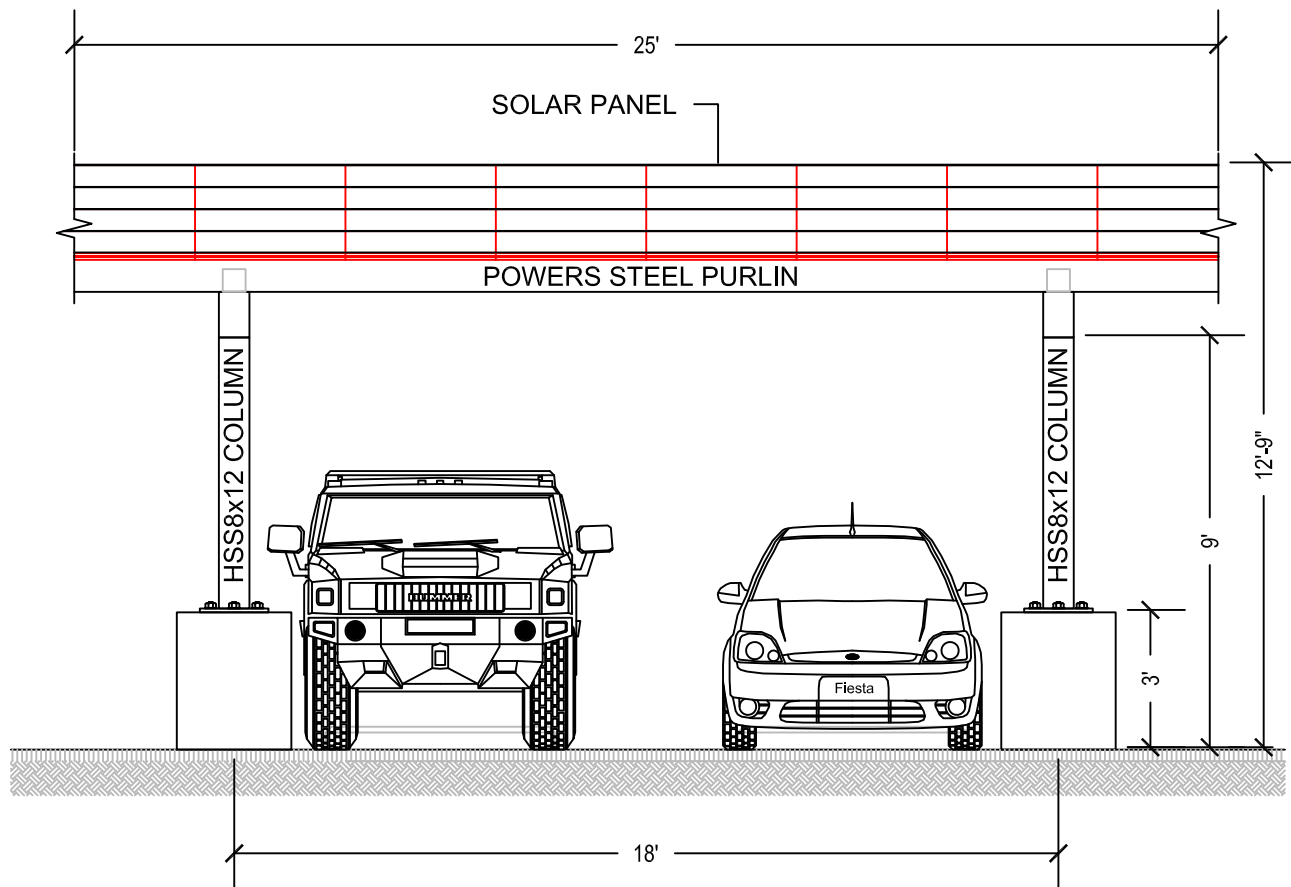
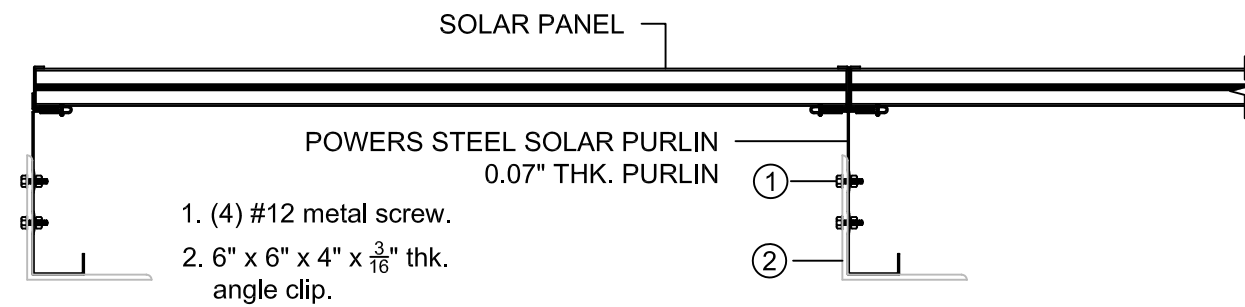


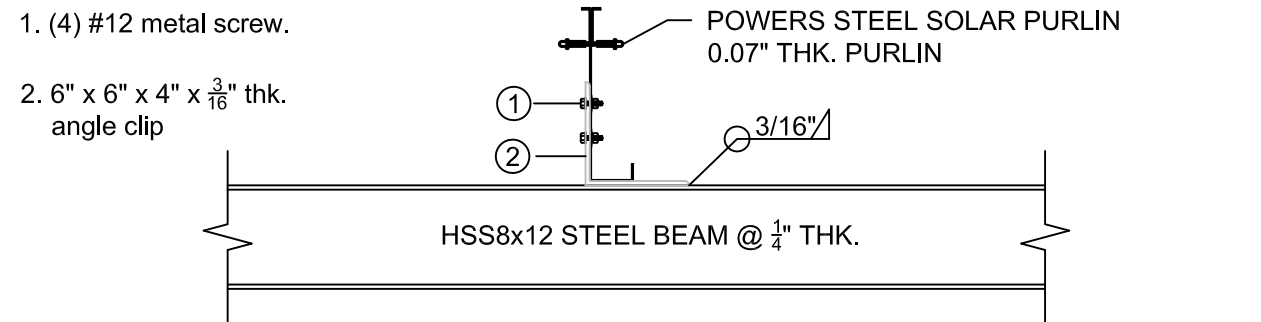
1 CARPORT STRUCTURE SIDE VIEW SCALE NONE



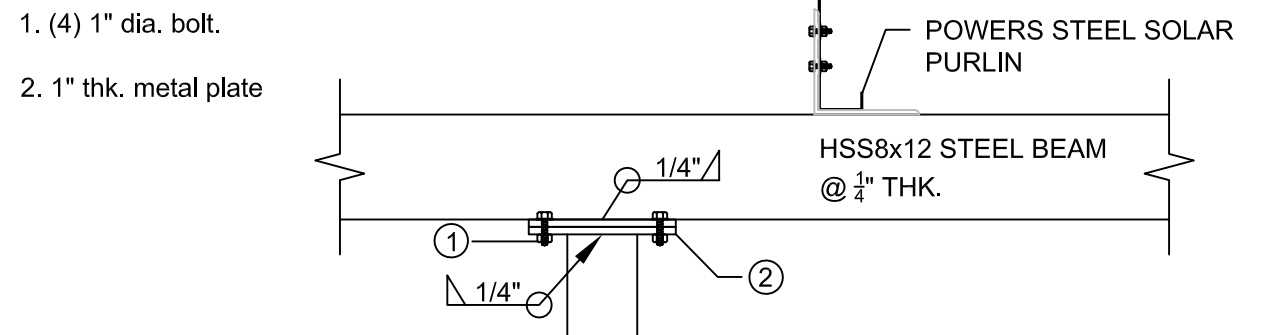
2 CARPORT STRUCTURE FRONT VIEW SCALE NONE



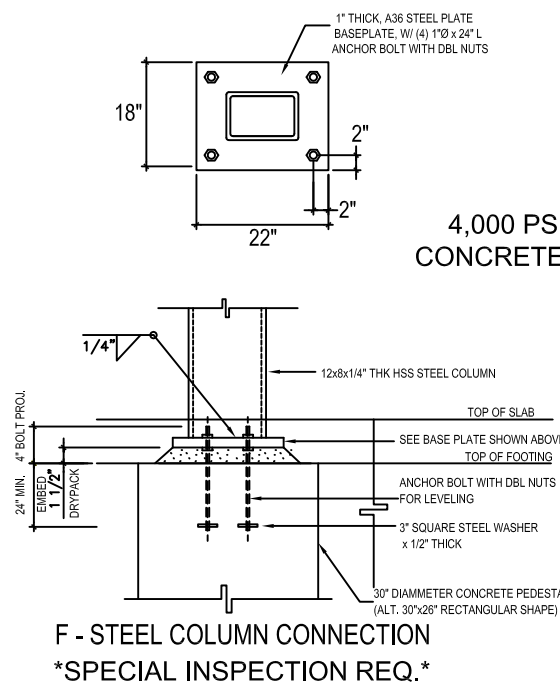
3 PANEL MOUNT CONNECTION SCALE NONE



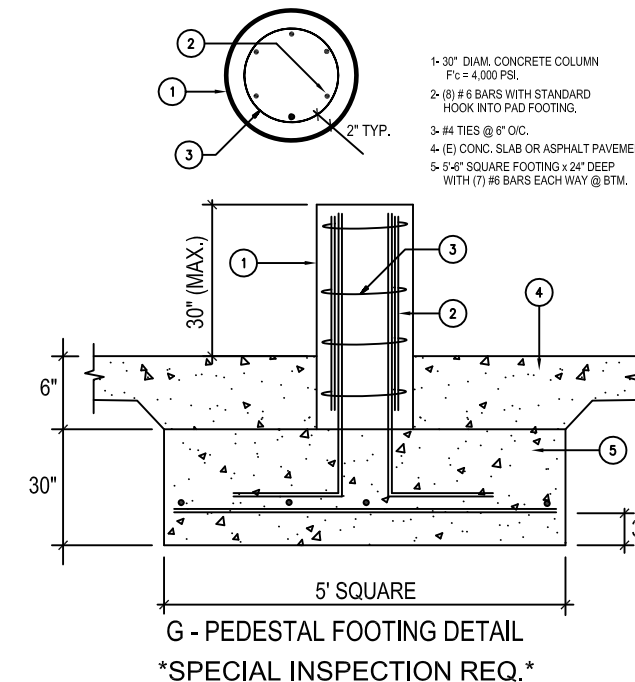
4 BEAM MOUNT CONNECTION SCALE NONE



5 COLUMN MOUNT DETAIL SCALE NONE



6 FOUNDATION DETAIL SCALE NONE



PROJECT:

SHEET TITLE:

- STRUCTURAL PLAN & DETAILS

Remodeling System

CONTRACTOR:

PROJECT BY: DxN

PROJECT NO: S14-12049

DATE: 12-08-14

SCALE: NONE

REVISION:	DATE:	DESCRIPTION:
1		
2		
3		

SHEET

SE-1