

KRONOS RESIDENTIAL CARPORT

PROJECT:
UNIT CARPORT SYSTEM

ARRAY INFORMATION

| | |
|----------------|--|
| PV BRAND | |
| MODULE SIZE | |
| MODULE WATTAGE | |
| SYSTEM SIZE | |
| MOUNT TYPE | |
| AZUMITH | |
| TILT ANGLE | |

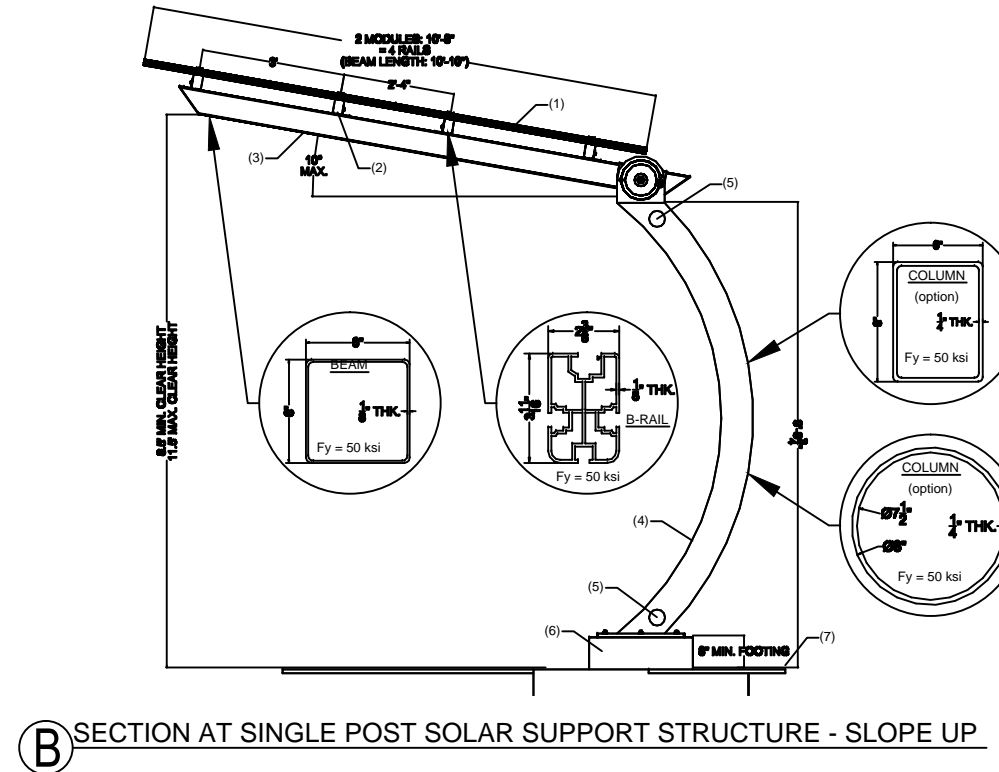
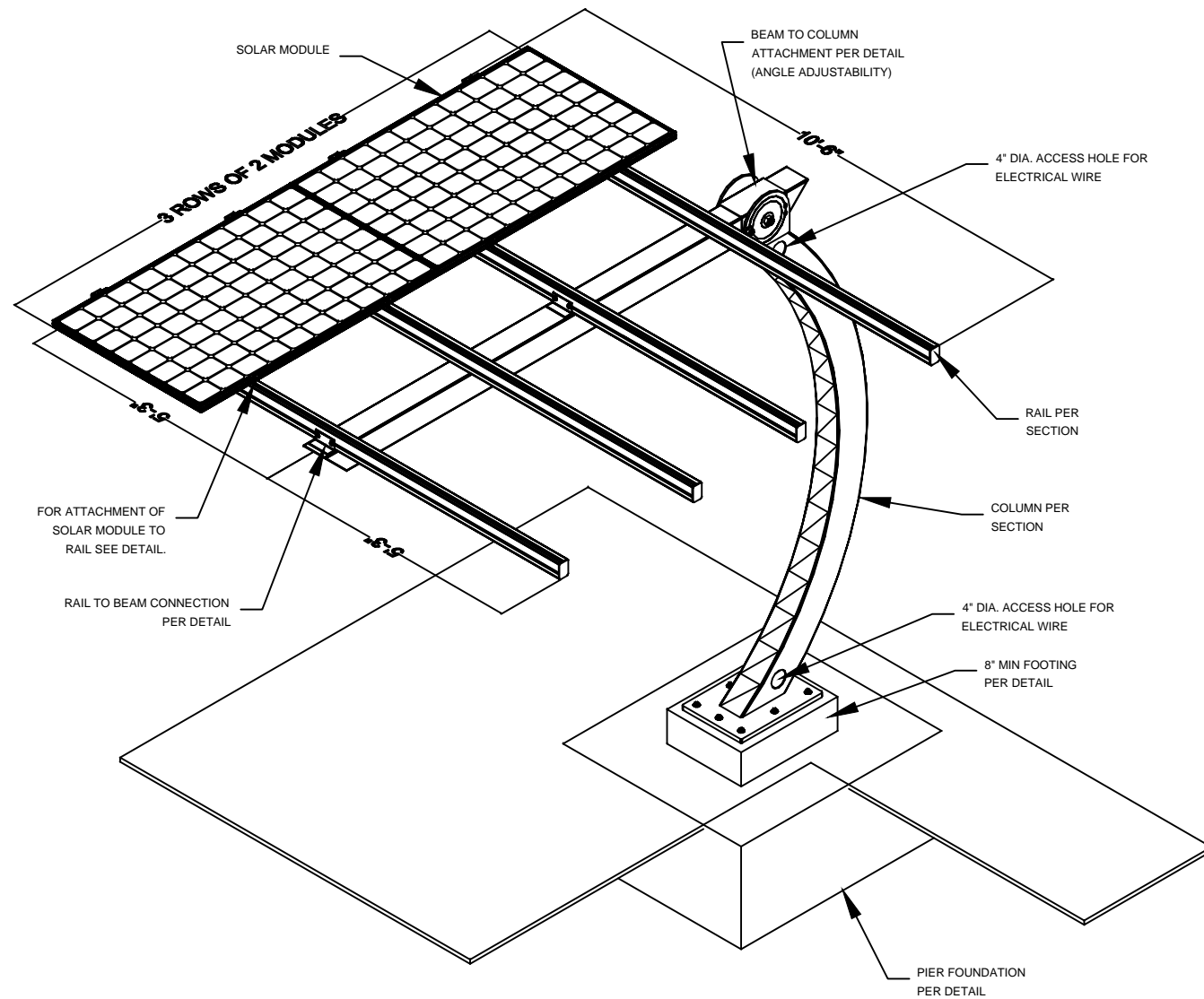
SHEET TITLE:

SPECS & SCOPE OF SYSTEM

STAMP:

PROJECT BY: DxN
DATE: TBD
SCALE: NONE
PERMIT: _____
△ _____
△ _____
△ _____

A

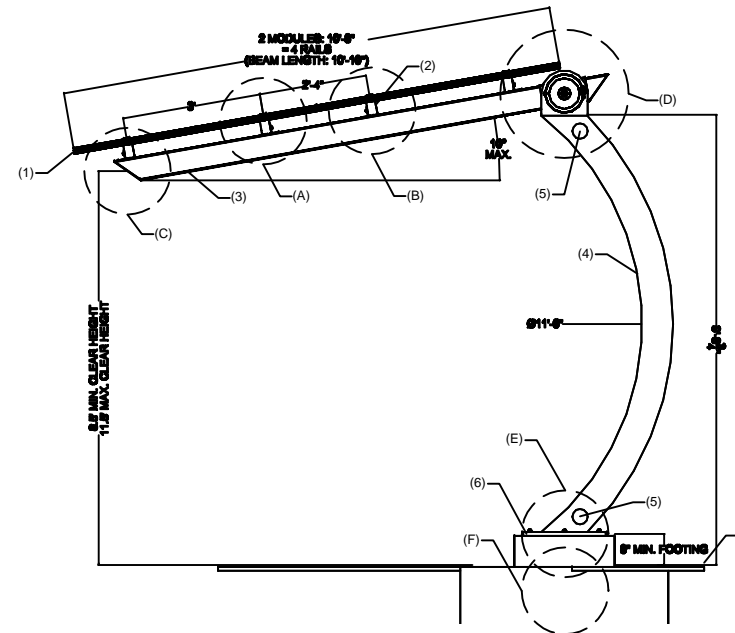


SECTION NOTES:

1. SOLAR MODULE
2. RAIL
3. BEAM
4. COLUMN
5. 4" DIA. ACCESS HOLE FOR ELECTRICAL WIRE
6. MIN. 8" CONCRETE FOOTING
7. FINISH GRADE

SECTION DETAILS:

- A. SOLAR MODULE & RAIL
- B. RAIL & BEAM
- C. END CAP FOR BEAM
- D. BEAM & COLUMN
- E. COLUMN & FOOTING
- F. FOOTING & FOUNDATION



C SECTION AT SINGLE POST SOLAR SUPPORT STRUCTURE - SLOPE DOWN

SECTION DETAILS:

