

PROJECT:
UNIT CARPORT SYSTEM

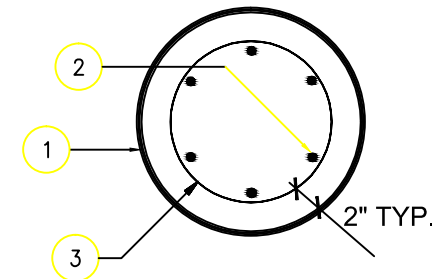
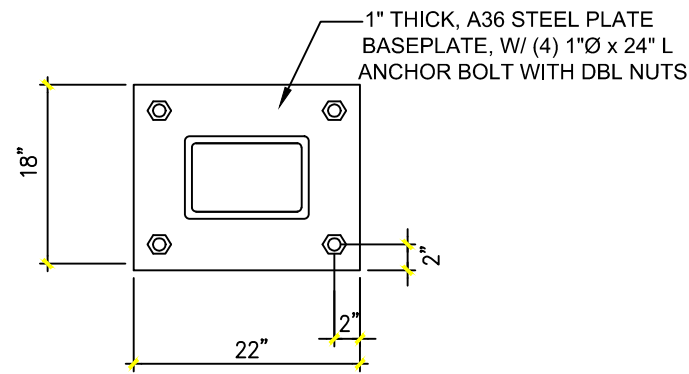
ARRAY INFORMATION

PV BRAND	
MODULE SIZE	
MODULE WATTAGE	
SYSTEM SIZE	
ROOF TYPE	
AZUMITH	
TILT ANGLE	

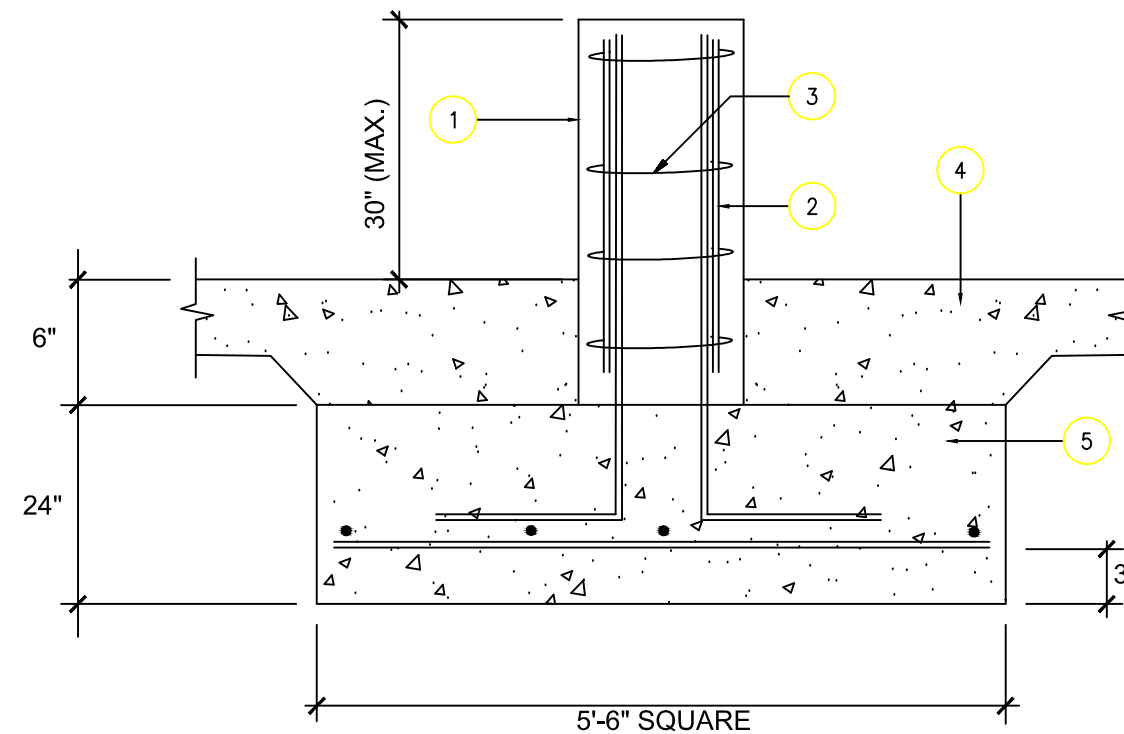
SHEET TITLE:
FOUNDATION DETAIL

STAMP:

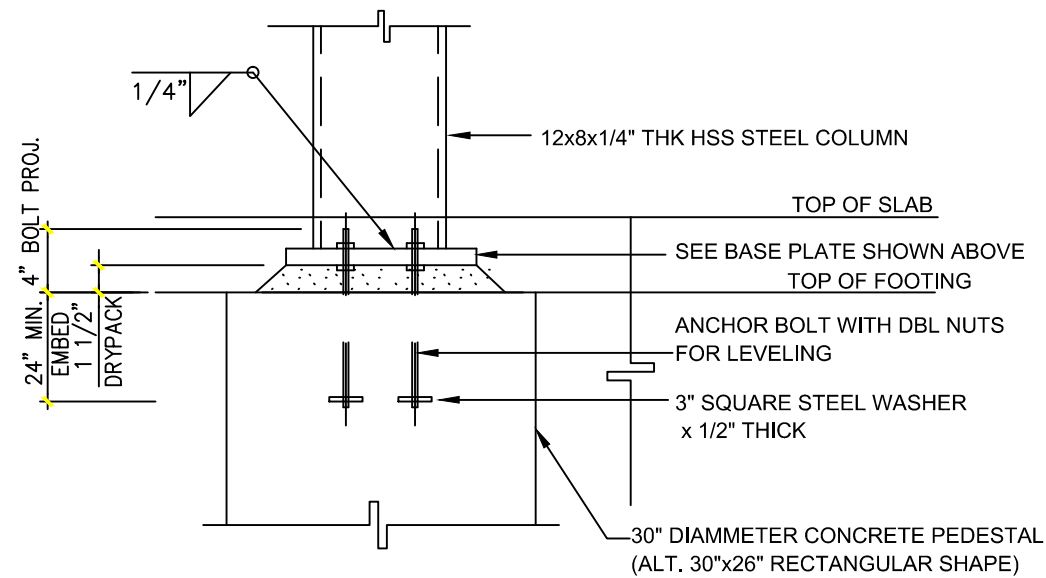
PROJECT BY: DxN
 DATE: TBD
 SCALE: NONE
 PERMIT:
 △ _____
 △ _____
 △ _____



- 1- 30" DIAM. CONCRETE COLUMN
 $F'_c = 2,500$ PSI.
- 2- (8) # 6 BARS WITH STANDARD
 HOOK INTO PAD FOOTING.
- 3- #4 TIES @ 6" O/C.
- 4- (E) CONC. SLAB OR ASPHALT PAVEMENT
- 5- 5'-6" SQUARE FOOTING x 24" DEEP
 WITH (7) #6 BARS EACH WAY @ BTM.



G - PEDESTAL FOOTING DETAIL



F - STEEL COLUMN CONNECTION

SPREAD DETAIL