

KRONOS RESIDENTIAL CARPORT

PROJECT:
UNIT CARPORT SYSTEM

ARRAY INFORMATION

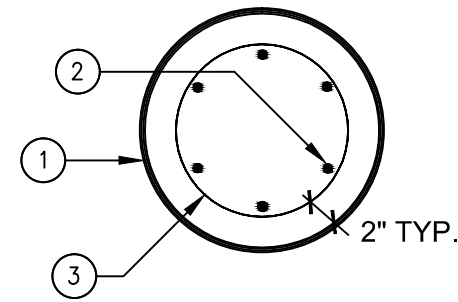
PV BRAND	
MODULE SIZE	
MODULE WATTAGE	
SYSTEM SIZE	
MOUNT TYPE	
AZUMITH	
TILT ANGLE	

SHEET TITLE:

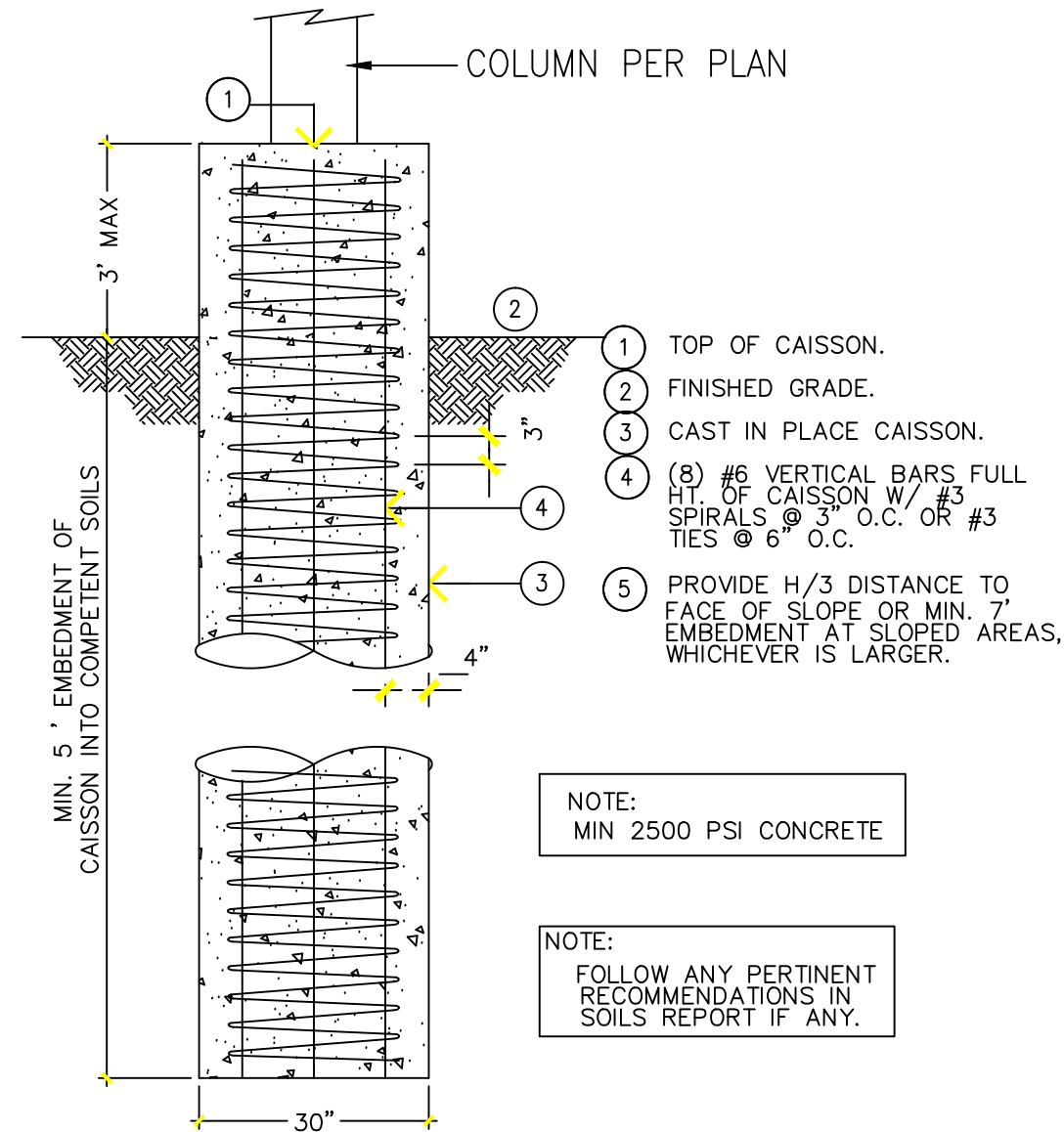
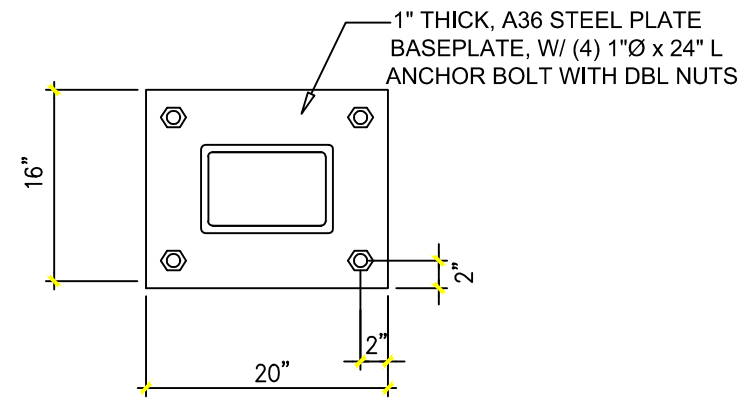
FOUNDATION DETAIL

STAMP:

PROJECT BY: DxN
DATE: TBD
SCALE: NONE
PERMIT: _____
△ _____
△ _____
△ _____

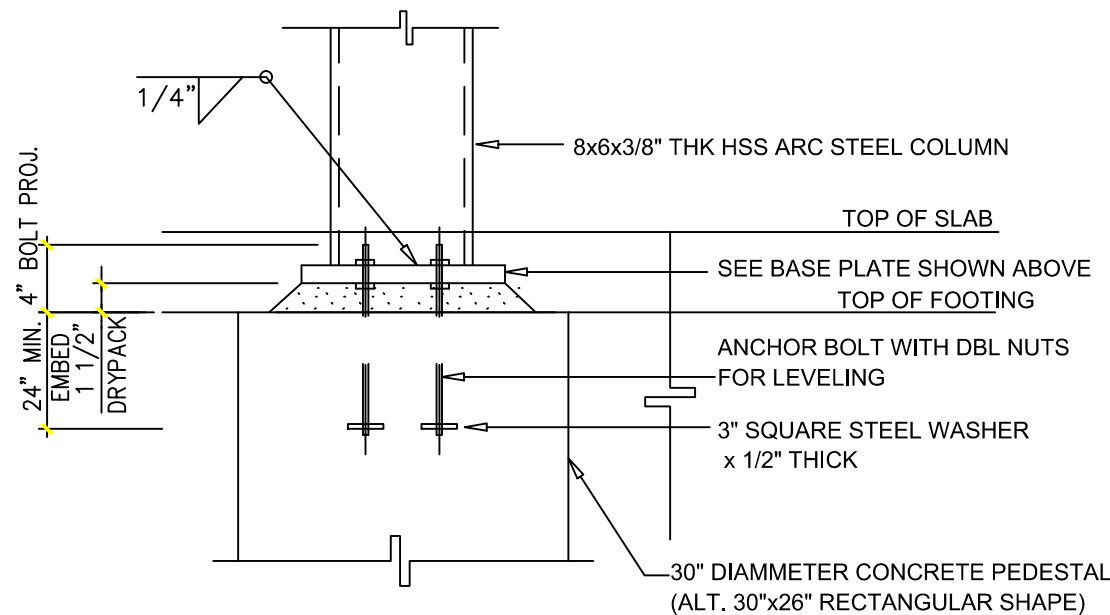


- 1- 24" DIAM. CONCRETE COLUMN
F_c = 2,500 PSI.
- 2- (8) # 6 BARS WITH STANDARD
HOOK INTO PAD FOOTING.
- 3- #4 TIES @ 6" O/C.
- 4- (E) CONC. SLAB OR ASPHALT PAVEMENT
- 5- 5'-6" SQUARE FOOTING x 24" DEEP
WITH (7) #6 BARS EACH WAY @ BTM.



NOTE:
MIN 2500 PSI CONCRETE

NOTE:
FOLLOW ANY PERTINENT
RECOMMENDATIONS IN
SOILS REPORT IF ANY.



F - STEEL COLUMN CONNECTION

CAISSON DETAIL

CAISSON DETAIL

All project documents are the registered property of Orion Solar Racking and cannot be lawfully used in whole or in part for any project or purpose except as described in the contract of agreement between Orion Solar Racking and Client.