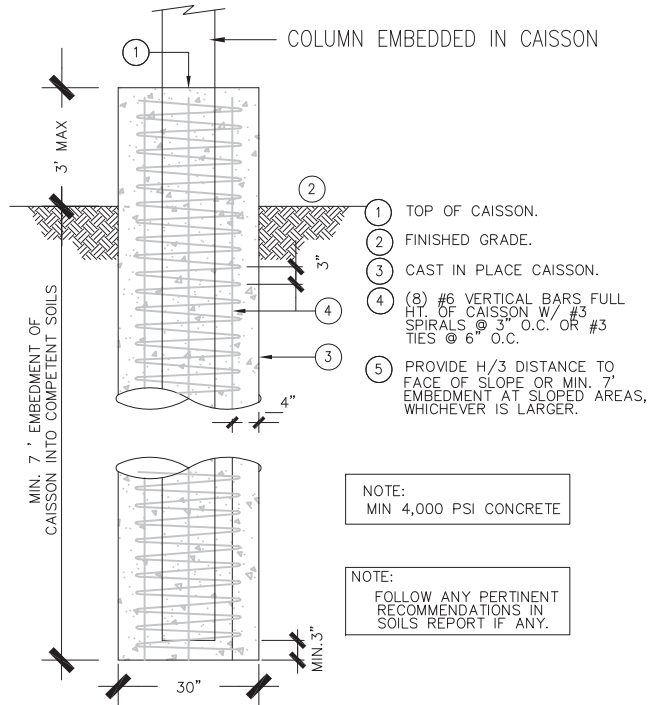
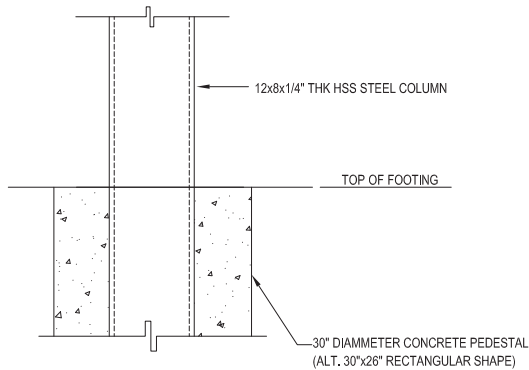


- 1- 30" DIAM. CONCRETE COLUMN
- 2- (8) #6 BARS WITH STANDARD HOOK INTO PAD FOOTING.
- 3- #4 TIES @ 6" O.C.
- 4- (E) CONC. SLAB OR ASPHALT PAVEMENT
- 5- 2'-6" CAISSON FOOTING x 7' DEEP WITH (7) #6 BARS EACH WAY @ BTM.



NOTE:
MIN 4,000 PSI CONCRETE

NOTE:
FOLLOW ANY PERTINENT RECOMMENDATIONS IN SOILS REPORT IF ANY.